

Wireless Stereo Headphone System

Operating Instructions
Manual de instrucciones

MDR-RF975RK

Sony Corporation © 2001 Printed in Korea

English

Owner's Record

The model number is located at the bottom of the transmitter and on the inside of the left housing hanger of the headphones. The serial number is located at the bottom of the transmitter and on the backside of the left housing hanger of the headphones. Record these numbers in the spaces provided below. Refer to them whenever you call upon your Sony dealer regarding this product.

Model No. MDR-RF975RK
Transmitter TMR-RF975R
Headphones MDR-RF975R
Serial No. _____
Transmitter _____
Headphones _____

WARNING

To prevent fire or shock hazard, do not expose the unit to rain or moisture.

To avoid electrical shock, do not open the cabinet. Refer servicing to qualified personnel only.

Information

You are cautioned that any changes or modifications not expressly approved in this manual could void your authority to operate this equipment.

If you have any questions about this product, you may call:

Sony Direct Response Center 1-(800)-222-7669

or write to:

Sony Direct Response Center 12451 Gateway Blvd. Fort Myers, FL 33913

Declaration of Conformity

Trade Name: SONY
Model No.: MDR-RF975R (Headphones Unit)
Responsible Party: Sony Eleconics Inc.
Address: 680 Kinderkamack Road, Oradell, NJ 07649 USA
Telephone No.: 201-930-6972

This device complies with Part 15 of the FCC Rules. Operation is subject to the following two conditions: (1) This device may not cause harmful interference, and (2) this device must accept any interference received, including interference that may cause undesired operation.

RECYCLING NICKEL METAL HYDRIDE BATTERIES

Nickel Metal Hydride batteries are recyclable. You can help preserve our environment by returning your used rechargeable batteries to the collection and recycling location nearest you.



For more information regarding recycling of rechargeable batteries, call toll free 1-800-822-8837, or visit <http://www.rbrcc.org/>.

Caution: Do not handle damaged or leaking Nickel Metal Hydride batteries.

Welcome!

Thank you for purchasing the Sony MDR-RF975RK Wireless Stereo Headphone System. Before operating the unit, please read this manual thoroughly and retain it for future reference.

Some features are:

- Wireless system that allows you to listen to a program free from the restriction of a cord
- High fidelity sound reproduction
- A compact transmitter with an AC power adaptor (supplied) enables simple charging of the headphone battery. Just by placing the headphones on the transmitter, headphone battery can be charged.
- Comfortable Circum-aural headphones with self-adjusting head band
- Automatic ON/OFF function on headphones to preserve battery power

<http://www.sony.net/>

Notes on receiving performance

The system for this equipment utilizes very high frequency signals in the 900 MHz band so the receiving performance may deteriorate due to the surroundings. The following examples illustrate conditions that may reduce the possible receiving range or cause interference with reception.

- Inside a building with walls containing steel beams.
- Area with many steel file cabinets, etc.
- Area with many electrical appliances capable of generating electromagnetic noise.
- Transmitter is placed on a metal instrument.
- Area facing roadways.
- Noise or interfering signals exist in the surroundings due to radio transceivers in trucks, etc.
- Noise or interfering signals exist in the surroundings due to wireless communication systems installed along roadways.

▶ Getting started

Unpacking

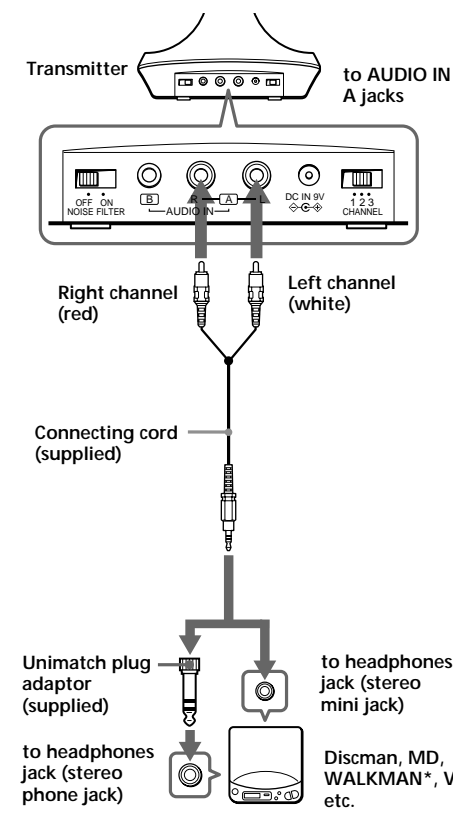
Check that you have the following items:

- The headphones
- The transmitter
- AC power adaptor
- Unimatch plug adaptor (stereo mini jack → stereo phone plug)
- Connecting cord (phono plugs ↔ stereo mini plug), 1 m

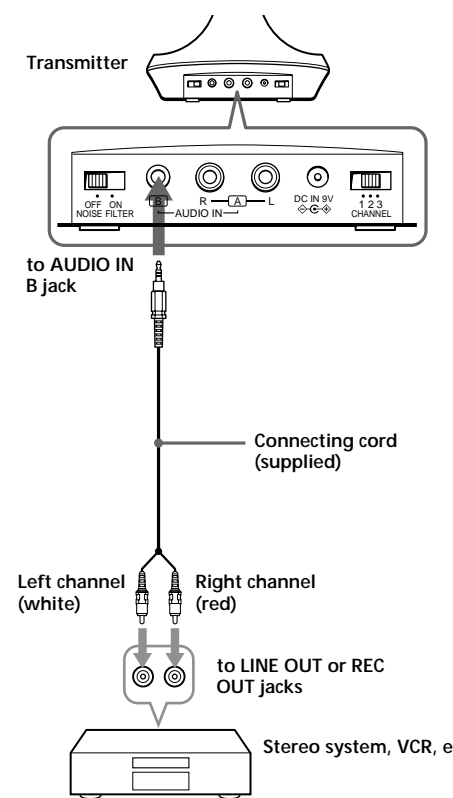
Setting up the transmitter

- 1 Connect the transmitter to audio/video equipment. Select one of the hooks up below depending on the jack type:

(A) To connect to a headphones jack

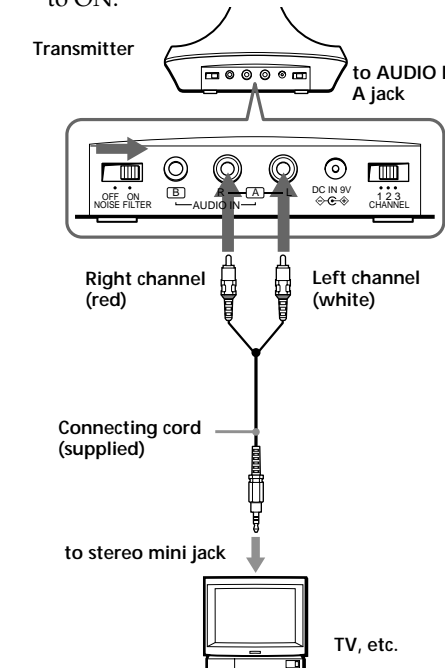


(B) To connect to LINE OUT or REC OUT jacks



Ⓞ To connect to TV, etc.

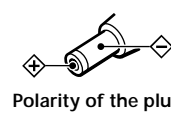
If noise occurs when the transmitter is connected to the headphone jack of your TV or VCR, set the NOISE FILTER switch to ON.



- Notes**
- If you connect the transmitter to LINE OUT or REC OUT jack, do not set the NOISE FILTER switch to ON. Otherwise, the volume will be limited.
 - The NOISE FILTER switch effects the sound only in cases such as connection diagram Ⓞ. In diagrams Ⓞ and Ⓞ, the switch has no effect.
 - When the transmitter is placed on or near a TV, it may pick up a noise. In such case, place the transmitter away from the TV.

- 2 Connect the transmitter to an AC outlet using the supplied AC power adaptor.

- Notes**
- Use only the supplied AC power adaptor. Do not use any other AC power adaptor.



- When you connect the connecting cord directly to an earphone jack, the audio signal will not be output through the right channel. In such a case, use the separately sold PC-236HG plug adaptor.
- If the connected equipment has the AVLS (Automatic Volume Limiter System) function, be sure to turn the function off when using the transmitter. Otherwise, you will have to turn up the volume of the headphones, and that may cause noise.
- Do not place the transmitter near a fluorescent lamp, etc. when using the system.

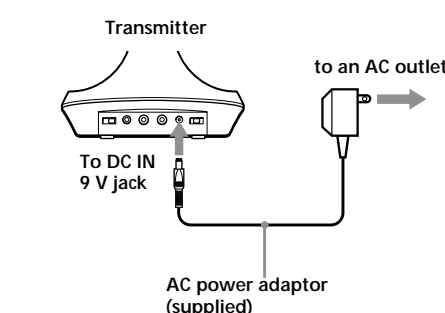
* WALKMAN is a registered trademark of Sony Corporation.

Charging the headphone battery

Using the headphones for the first time

When you use the headphones for the first time, charge the battery in the following manner.

- 1 Connect the transmitter to a power source.



- 2 Place the headphones on the transmitter.



Place the headphones on the transmitter such that the charging pins on the transmitter engage the charging contacts on the bottom of the housing. The charge indicator on the transmitter will light in green to indicate that the battery is being charged. Once 24 hours have elapsed since the start of battery charging, the charger automatically shuts off, and the green indicator goes out.

To recharge the headphone battery after use

Since the charger shuts itself off in response to its internal timer after 24 hours, there is no need to worry about overcharging.

Charging and using hours

Approx. charging hours	Approx. using time*
1	60 minutes
24**	25 hours

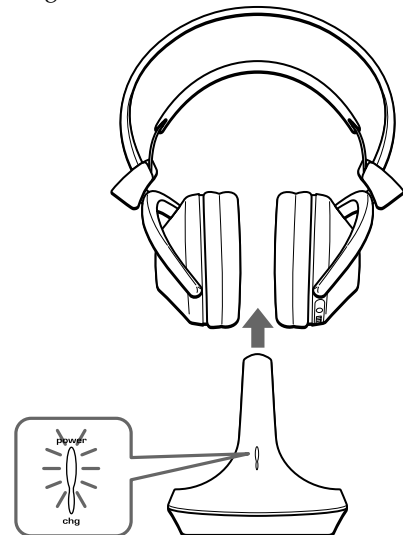
* at 1 kHz, 1 mW + 1 mW output

** The hours required to fully charge empty battery

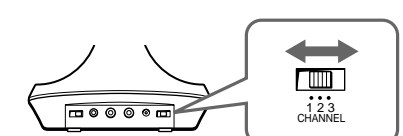
▶ Operating the system

Listening to a program

- 1 First turn on the audio/video equipment and start playing.
- 2 Remove the headphones from the transmitter. The transmitter's power indicator will light in red.



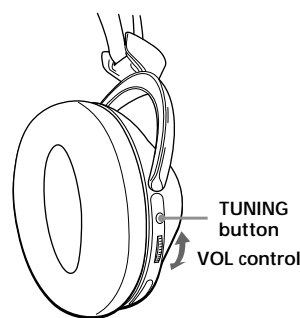
- 3 Select the radio frequency with the CHANNEL selector.



- 4 When you put on the headphones the headphone power turns on automatically.



- 5 Turn up the volume to a moderate level with the VOL control. Press the TUNING button briefly for automatic tuning of the headphones. If you do not receive a clear audio signal, press it again.



Try the above steps 3 and 5 until the receiving performance becomes better.

Sending RF signals from the Transmitter

The transmitter starts sending the RF signals automatically, when it detects audio signals from the equipment connected.

If it does not detect an audio signal for more than approximately four minutes, the transmitter will stop sending RF signals, and the power indicator turns off.

When the transmitter receives an audio signal again, it starts sending the RF signals, and the power indicator will light in red again.

If the audio signal is very weak, the transmitter does not send RF signals. If the transmitter is connected to a headphone jack, make sure the volume of the equipment connected is set to 5 - 6 or higher.

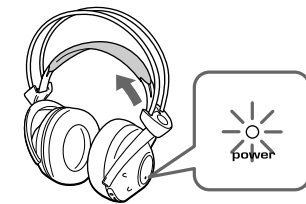
You may not hear the beginning of the sound from the headphones until the transmitter starts sending the RF signals after detecting an audio signal.

Note

If the transmitter is connected to the headphones jack of the source equipment, set the volume of that equipment as high as possible without distorting the audio signal.

Auto power on/off function

When you remove the headphones from your head, the power turns off automatically. Do not allow the self adjusting band to be pulled up, otherwise the headphones will be switched on.



The power turns on.

Note

If a hissing noise is heard move closer to the transmitter.

After listening to a program

Take the headphones off and rest them away on the transmitter, and recharge them.

Note

Do not hang the headphones by the self adjusting band, otherwise, the self adjusting band will be pulled up and the headphones will be switched on.

The effective areas of the transmitter

The optimum distance is up to approximately 150 feet (46 m) without the system picking up some interference. However, the distance may vary according to the surroundings and environment. If the system picks up some noise while using it within the above mentioned distance, reduce the distance between the transmitter unit and the headphones, or select the other channel.

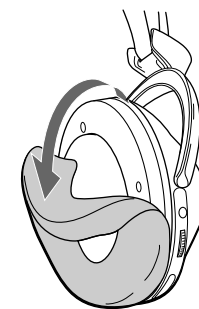
Notes

- When you use the headphones inside the effective areas of the transmitter, the transmitter can be placed in any direction from the listener.
- Even within the signal reception area, there are some spots (dead spot) where the RF signal can not be received. This is a characteristic inherent to RF signals, and does not indicate malfunction. By slightly moving the transmitter, location of the dead spot can be changed.

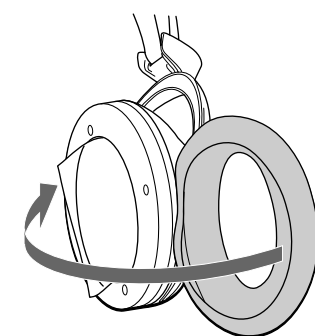
Replacing the ear pads

When the ear pads become dirty or damaged, you can get replacements from your Sony dealer. Replace them as illustrated below.

- 1 Remove the old ear pad by pulling it out of the groove on the housing.



- 2 Place the new ear pad on the driver unit and insert the edge of the pad into the groove as illustrated.



Make sure that the entire edge of the ear pad is securely inserted into the groove.

▶ Additional information

Precautions

- When the transmitter is not to be used for a long period of time, disconnect the AC power adaptor from the AC outlet holding the plug. Do not pull on the cord.
- Do not leave the wireless stereo headphone system in a location subject to direct sunlight, heat or moisture.

Notes on headphones

Preventing hearing damage

Avoid using headphones at high volume. Hearing experts advise against continuous, loud and extended play. If you experience a ringing in your ears, reduce the volume or discontinue use.

Caring for others

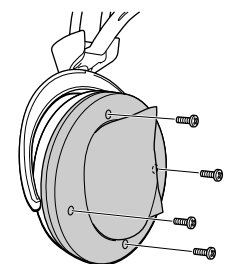
Keep the volume at a moderate level. This will allow you to hear outside sounds and to be considerate to the people around you.

If you have any questions or problems concerning the system that are not covered in this manual, please consult the nearest Sony dealer.

Be sure to bring the headphones and the transmitter to the Sony dealer when requiring repair work.

Disposing of the headphones

Be sure to remove the built-in rechargeable batteries from the headphones before you dispose of the headphones. First remove the left headphone's ear pad. You will see four screws. Remove the four screws and open the housing.



Troubleshooting

No sound/Muffled sound

- ➔ Turn on the transmitter first, then put on the headphones.
- ➔ Check the connection of the audio/video equipment or the AC power adaptor.
- ➔ Check that the audio/video equipment is turned on.
- ➔ Turn up the volume on the connected audio/video equipment, if the transmitter is connected to the headphones jack.
- ➔ Change the radio frequency with the CHANNEL selector on the transmitter, then press the TUNING button again.
- ➔ The mute function is activated. Use the headphones near the transmitter.
- ➔ The headphones' POWER indicator light is weak or turned off.
 - Charge the built-in rechargeable battery or if the POWER indicator is still off after charging the built-in rechargeable battery, take the headphones to a Sony dealer for replacement of the rechargeable battery.
- ➔ If you connect the transmitter to LINE OUT or REC OUT jack of an audio reproducer, make sure that the NOISE FILTER switch is set to OFF.
- ➔ Make sure that the NOISE FILTER switch is set to either ON or OFF (If the switch gets stuck between ON and OFF, the sound will be cut off).

Distortion

- ➔ If the transmitter is connected to the headphones jack, turn down the volume of the connected audio/video equipment.
- ➔ Change the radio frequency with the CHANNEL selector on the transmitter.
- ➔ The headphones' POWER indicator light is weak or turned off.
 - Charge the built-in rechargeable battery or if the POWER indicator is still off after charging the built-in rechargeable battery, take the headphone to Sony dealer for replacement of the rechargeable battery.
- ➔ If you connect the transmitter to LINE OUT or REC OUT jack of an audio reproducer, make sure that the NOISE FILTER switch is set to OFF.

Loud background noise

- ➔ Move closer to the transmitter. As you move away from the transmitter, more noise is likely to be heard.
- ➔ If the transmitter is connected to the headphones jack, turn up the volume of the connected audio/video equipment.
- ➔ Change the radio frequency with the CHANNEL selector on the transmitter, then press the TUNING button again.
- ➔ The headphones' POWER indicator light is weak or turned off.
 - Charge the built-in rechargeable battery or if the POWER indicator is still off after charging the built-in rechargeable battery, take the headphone to Sony dealer for replacement of the rechargeable battery.
- ➔ If you connect the transmitter to LINE OUT or REC OUT jack of an audio reproducer, make sure that the NOISE FILTER switch is set to OFF.

Specifications

General

Carrier frequency 913.5 - 914.5 MHz
Channel Ch1, Ch2, Ch3
Modulation FM stereo
Frequency response 18 - 22,000 Hz

Transmitter TMR-RF975R

Power source DC 9 V: supplied AC power adaptor
Audio input phono jacks/stereo mini jack
Dimensions Approx. 130 x 135 x 150 mm (5 1/4 x 5 3/8 x 6 in.) (w/h/d)
Mass Approx. 200 g (7 oz.)

Headphones MDR-RF975R

Power source DC 2.4 V: Built-in rechargeable battery
Mass Approx. 350 g (12.3 oz.) incl. built-in rechargeable battery

Built-in Ni-MH rechargeable battery

Model name NH-AAC
Voltage 1.2 V
Capacity 1,000 mAh

Optional accessory

Plug adaptor PC-236HG (stereo mini jack ↔ monaural mini plug)

Design and specifications are subject to change without notice.

ADVERTENCIA

Para evitar incendios o el riesgo de electrocución, no exponga la unidad a la lluvia ni a la humedad.

Para evitar descargas eléctricas, no abra la unidad. En caso de avería, solicite los servicios de personal cualificado.

Información

Tenga en cuenta que cualquier cambio o modificación no expresamente aprobado en este manual puede anular su autoridad para utilizar este equipo.

RECICLADO DE BATERÍAS DE HIDRURO DE METAL DE NIQUEL	
	
Las baterías de hidruro de metal de níquel son reciclables. Usted podrá ayudar a conservar el medio ambiente devolviendo las baterías usadas al punto de recogida y reciclarle más próximo.	RECYCLE R B B C N I - M H 1 8 0 0 - 8 2 2 - 8 8 3 7
Para más información sobre el reciclado de baterías, llame al número gratuito 1-800-822-8837, o visite http://www.rbrc.org/ .	
Precaución: No utilice baterías de hidruro de metal de níquel dañadas o con fugas.	

¡Bienvenido!

Gracias por adquirir el sistema de auriculares estéreo inalámbricos MDR-RF975RK de Sony. Antes de utilizar el sistema, lea detenidamente este manual y consérvelo para futuras referencias. Algunas de las características son:

- Sistema inalámbrico que le permitirá escuchar un programa sin verse restringido por un cable
- Reproducción de sonido de alta fidelidad
- Transmisor compacto con adaptador de alimentación de ca (suministrado) que permite la carga fácil de la batería de los auriculares. Al colocar simplemente los auriculares sobre el transmisor se iniciará la carga.
- Auriculares Circum-aurales cómodos con casco autoajustable
- Función de conexión/desconexión de la alimentación de los auriculares para conservar la energía de las baterías o pilas

Notas sobre el rendimiento de recepción

El sistema para este equipo utiliza señales de frecuencia muy alta de la banda de 900 MHz, motivo por el que el rendimiento de la recepción puede deteriorarse debido al medio ambiente. En los ejemplos siguientes se indican las condiciones que pueden reducir el alcance de la recepción o causar interferencias en ella.

- Dentro de un edificio con paredes que contengan vigas de acero.
- Área con muchos armarios archivadores de acero, etc.
- Área con muchos aparatos eléctricos capaces de generar ruido electromagnético.
- Transmisor colocado sobre un instrumento metálico.
- Área encarada hacia carreteras.
- Ruido o señales de interferencia en los alrededores debido a transceptores de radio de camiones, etc.
- Ruido o señales de interferencia en los alrededores debido a sistemas de comunicaciones instalados a lo largo de carreteras.

Preparativos

Desembalaje

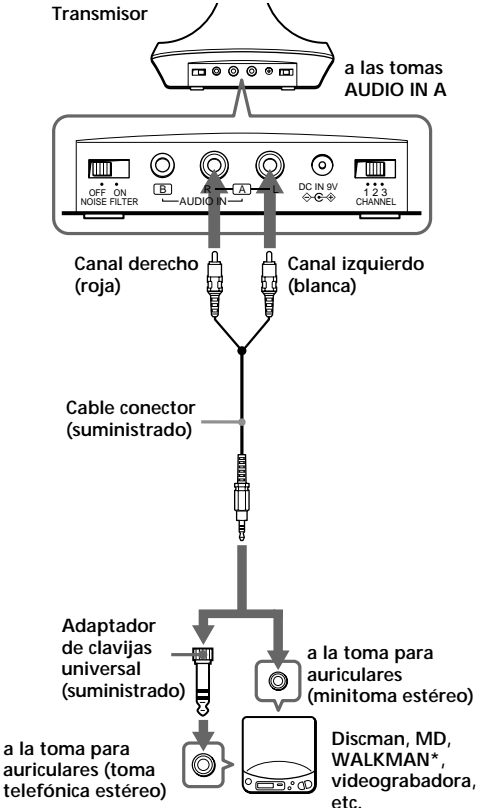
Compruebe si ha recibido lo siguiente:

- Auriculares
- Transmisor
- Adaptador de alimentación de ca
- Adaptador de clavijas universal (minitoma estéreo → clavija telefónica estéreo)
- Cable conector (clavijas fono ↔ miniclavija estéreo), 1 m

Preparación del transmisor

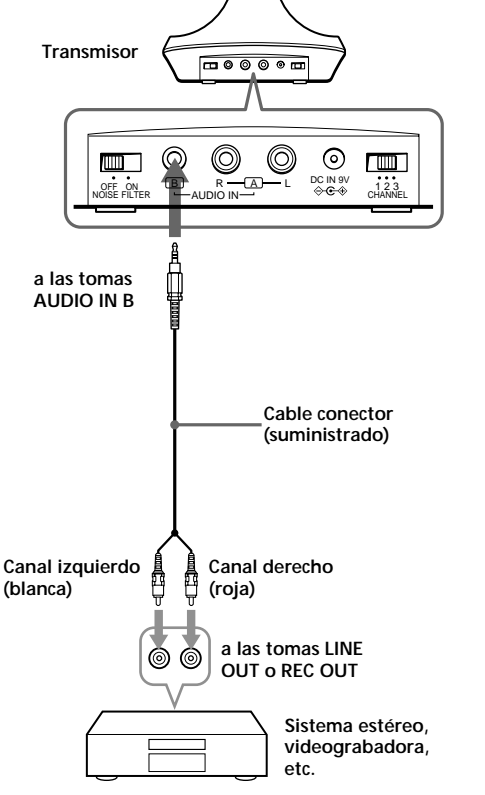
- Conecte el transmisor al equipo de audio/vídeo. Seleccione una de las conexiones siguientes dependiendo del tipo de toma.

A Conexión a una toma para auriculares

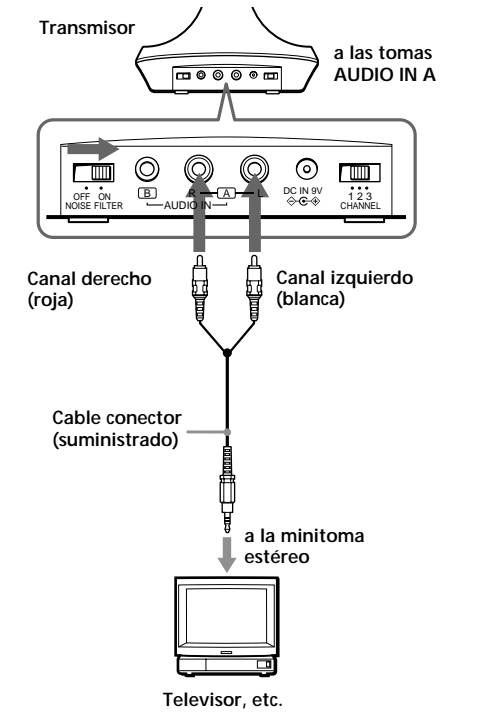


a la toma para auriculares (toma telefónica estéreo)

B Conexión a las tomas LINE OUT o REC OUT



C Para conectar un televisor, etc. Si se produce ruido al conectar el transmisor a la toma para auriculares de su televisor o videograbadora, ponga el interruptor NOISE FILTER en ON.



Notas

- Si ha conectado el transmisor a la toma LINE OUT o REC OUT, no ponga el interruptor NOISE FILTER en ON. De lo contrario, el volumen se limitaría.
- El interruptor NOISE FILTER solamente afectará el sonido en el caso del diagrama de conexión C. En los diagramas A y B, el interruptor no tendrá efecto.
- Cuando el transmisor esté sobre un televisor, o cerca de él, es posible que capte ruido. En tal caso, aleje el transmisor del televisor.

- Conecte el transmisor a un tomacorriente de ca utilizando el adaptador de alimentación de ca suministrado.

Notas

- Utilice solamente el adaptador de alimentación de ca suministrado. No utilice ningún otro tipo de adaptador de alimentación de ca.

- Cuando haya conectado el cable conector directamente a una toma para auriculares, la señal de audio no saldrá a través del canal derecho. En tal caso, utilice un adaptador de clavija PC-236HG vendido aparte.
- Si el equipo conectado posee la función de sistema limitador automático de volumen (AVLS), cerciórese de desactivarla cuando utilice el transmisor. De lo contrario, tendría que aumentar el volumen de los auriculares, y esto podría causar ruido.
- No coloque el transmisor cerca de lámparas fluorescentes, etc. cuando utilice el sistema.

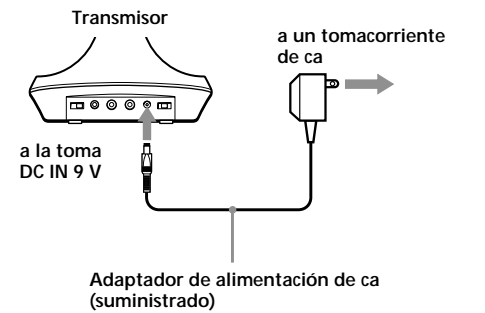
* WALKMAN es marca registrada de Sony Corporation.

Carga de la batería de los auriculares

Utilización de los auriculares por primera vez

Antes de utilizar por primera vez los auriculares, cargue la batería de la forma siguiente.

- Conecte el transmisor a una fuente de alimentación.



- Coloque los auriculares en el transmisor.



Coloque los auriculares en el transmisor de forma que los contactos de carga de éste encajen en los de la parte inferior del alojamiento. El indicador de carga del transmisor se encenderá en verde para indicar que la batería está cargándose. Una vez transcurridas 24 horas desde el inicio de la carga de la batería, el cargador se apaga automáticamente, y el indicador verde se desactiva.

Para recargar la batería de los auriculares después de haberla utilizado

Puesto que el cargador se apaga en respuesta a su temporizador interno tras 24 horas, no debe preocuparse por sobrecargas.

Horas de carga y tiempo de utilización

Horas aprox. de carga	Tiempo aprox. de utilización*
1	60 minutos
24**	25 horas

* con salida de 1 kHz, 1 mW + 1 mW

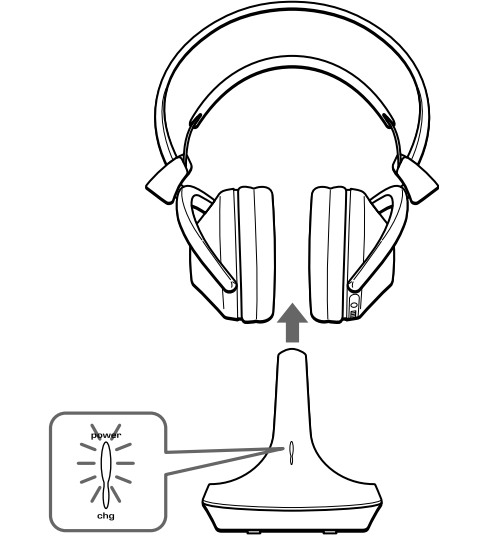
** Horas requeridas para cargar completamente batería descargadas

Utilización del sistema

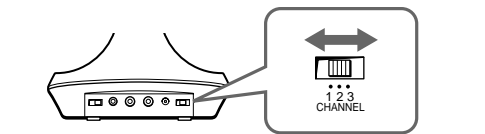
Escucha de un programa

- En primer lugar, conecte la alimentación del equipo de audio/vídeo e inicie la reproducción.

- Tome los auriculares del transmisor. El indicador de alimentación del transmisor se encenderá en rojo.



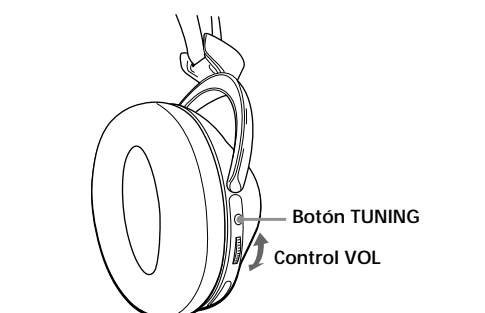
3 Seleccione la frecuencia de radiodifusión con el selector CHANNEL.



- Cuando se coloque los auriculares, la alimentación se conectará automáticamente.



- Aumente el volumen hasta un nivel moderado con el control VOL. Presione brevemente el botón TUNING para sintonizar automáticamente los auriculares. Si no recibe señales de audio claras, vuelva a presionarlo.



Pruebe los pasos 3 y 5 anteriores hasta encontrar el ajuste que ofrezca la mejor recepción.

Transmisión de señales de RF desde el transmisor

El transmisor comenzará a transmitir automáticamente señales de RF cuando detecte señales de audio procedentes del equipo de audio. Si no detecta una señal de audio durante más de aproximadamente cuatro minutos, el transmisor dejará de transmitir señales de RF, y el indicador de alimentación se apagará.

Cuando el transmisor vuelva a recibir una señal de audio, comenzará a transmitir señales de RF, y el indicador de alimentación se volverá a encender en rojo.

Si la señal de audio es muy débil, el transmisor no emitirá señales de RF. Si el transmisor está conectado a una toma para auriculares, cerciórese de que el volumen del equipo conectado esté ajustado a 5-6 o un nivel superior.

Es posible que usted no oiga el comienzo del sonido a través de los auriculares hasta que el transmisor comience a transmitir señales de RF después de haber detectado una señal de audio.

Nota

Si el transmisor está conectado a la toma para auriculares del equipo fuente, ajuste el volumen de tal equipo al nivel más alto posible sin que se distorsione la señal de audio.

Función de conexión/desconexión automática de la alimentación

Cuando se quite los auriculares, su alimentación se desconectará automáticamente. No tire de la banda autoajustable hacia arriba, ya que de lo contrario se conectaría la alimentación de los mismos.



Nota

Si oye ruido de siseo, acérquese al transmisor.

Después de haber escuchado un programa

Quitese los auriculares, colóquelos en el transmisor y recárguelos.

Nota

No cuelgue los auriculares por la banda autoajustable, ya que se vería empujada hacia arriba y se conectaría la alimentación de los auriculares.

Áreas efectivas del transmisor

La distancia óptima es de aproximadamente 46 metros sin que el sistema capte interferencias. Sin embargo, la distancia puede variar de acuerdo con las condiciones ambientales. Si el sistema capta ruido cuando lo esté utilizando dentro de la distancia mencionada, reduzca la distancia entre el transmisor y los auriculares, o seleccione otro canal.

Notas

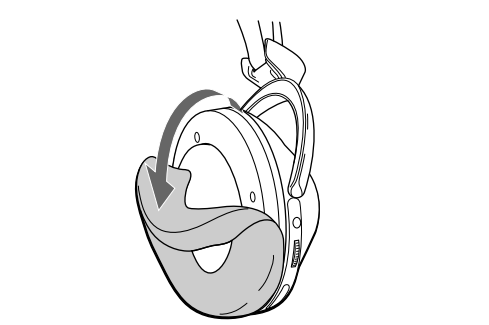
- Cuando utilice los auriculares dentro del área efectiva del transmisor, éste podrá colocarse en cualquier dirección con respecto al oyente.

- Incluso dentro del área de recepción de señales, pueden existir algunos puntos (puntos muertos) en los que no se reciba la señal de RF. Se trata de una característica inherente de las señales de RF y no indica fallo de funcionamiento. Moviendo ligeramente el transmisor podrá cambiar la ubicación del punto muerto.

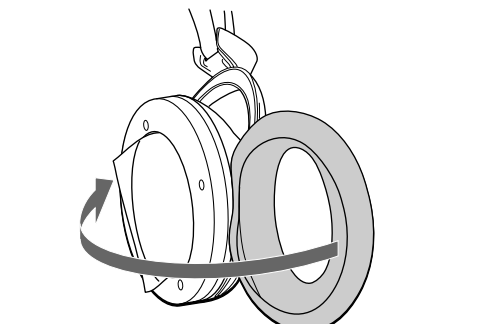
Reemplazo de las almohadillas de auriculares

Cuando las almohadillas se ensucien o dañen, adquiera otras en su proveedor Sony. Reemplácelas como se muestra en la ilustración siguiente.

- Extraiga la almohadilla vieja sacándola de la ranura del auricular.



- Coloque la nueva almohadilla en el auricular e inserte el borde de la misma en la ranura, como se muestra en la ilustración.



Cerciórese de que todo el borde de la almohadilla haya quedado insertado con seguridad en la ranura.

Información adicional

Precauciones

- Cuando no vaya a utilizar el transmisor durante mucho tiempo, desconecte el adaptador de ca del tomacorriente de ca sujetando el enchufe. No tire del cable.
- No deje el sistema de auriculares estéreo inalámbrico en un lugar sometido a la luz solar directa, al calor, ni a la humedad.

Notas sobre los auriculares

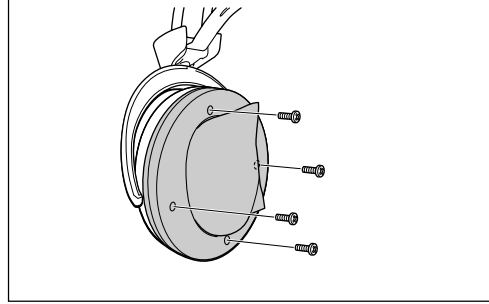
Cuidado de sus oídos

Evite utilizar los auriculares a gran volumen. Los expertos en oídos aconsejan no utilizar los auriculares para escuchar continuamente a gran volumen. Si experimenta un silbido en sus oídos, reduzca el volumen o deje de utilizar los auriculares.

Respeto a los demás

Mantenga el volumen a un nivel moderado. Esto le permitirá escuchar los sonidos del exterior y no molestar a quienes se encuentren a su alrededor.

Si tiene alguna pregunta o problema en relación con este sistema que el manual no pueda resolver, póngase en contacto con su proveedor Sony.



Solución de problemas

Carencia de sonido/sonido amortiguado

- Conecte en primer lugar la alimentación del transmisor, y después colóquese los auriculares.
- Compruebe la conexión del equipo de audio/vídeo o del adaptador de alimentación de ca.
- Compruebe si la alimentación del equipo de audio/vídeo está conectada.
- Si el transmisor está conectado a la toma para auriculares de un equipo de audio/vídeo, aumente el volumen del mismo.
- Elija la radiofrecuencia con el selector CHANNEL del transmisor, y después vuelva a presionar el botón TUNING.
- La función de silenciamiento está activada. Utilice los auriculares cerca del transmisor.
- El indicador POWER de los auriculares está iluminado débilmente o apagado.
 - Cargue la batería incorporada, o si el indicador POWER permanece apagado después de haberla cargado, lleve los auriculares a su proveedor Sony para que le reemplace la batería.
- Si ha conectado el transmisor a la toma LINE OUT o REC OUT de un reproductor de audio, cerciórese de que el interruptor NOISE FILTER esté en OFF.
- Cerciórese de que el selector NOISE FILTER esté en ON u OFF (si el selector se queda entre ON y OFF, el sonido se cortará).

Distorsión

- Si el transmisor está conectado a una toma para auriculares, reduzca el volumen del equipo de audio/vídeo conectado.
- Elija la radiofrecuencia con el selector CHANNEL del trasmisor.
- El indicador POWER de los auriculares está iluminado débilmente o apagado.
 - Cargue la batería incorporada, o si el indicador POWER permanece apagado después de haberla cargado, lleve los auriculares a su proveedor Sony para que le reemplace la batería.
- Si ha conectado el transmisor a la toma LINE OUT o REC OUT de un reproductor de audio, cerciórese de que el interruptor NOISE FILTER esté en OFF.

Ruido fuerte de fondo

- Acérquese al transmisor. A medida que se aleje del transmisor, es posible que se oiga más ruido.
- Si el transmisor está conectado a una toma de auriculares, aumente el volumen del equipo de audio/vídeo conectado.
- Elija la radiofrecuencia con el selector CHANNEL del transmisor, y después vuelva a presionar el botón TUNING.
- El indicador POWER de los auriculares está iluminado débilmente o apagado.
 - Cargue la batería incorporada, o si el indicador POWER permanece apagado después de haberla cargado, lleve los auriculares a su proveedor Sony para que le reemplace la batería.
- Si ha conectado el transmisor a la toma LINE OUT o REC OUT de un reproductor de audio, cerciórese de que el interruptor NOISE FILTER esté en OFF.

Especificaciones

Generales	
Frecuencia portadora	913,5 – 914,5 MHz
Canales	1, 2, y 3
Modulación	FM estéreo
Respuesta en frecuencia	18 – 22 000 Hz
Transmisor TMR-RF975R	
Fuente de alimentación	9 V cc: Adaptador de alimentación de ca (suministrado)
Entrada de audio	Tomas fono/minitoma estéreo
Dimensiones	Aprox. 130 × 135 × 150 mm (an/al/prf)
Masa	Aprox. 200 g
Auriculares MDR-RF975R	
Fuente de alimentación	2,4 V cc: Batería recargable incorporada
Masa	Aprox. 350 g, batería recargable incorporada incluida
Batería recargable Ni-MH incorporada	
Nombre del modelo	NH-AAAC
Tensión	1,2 V
Capacidad	1 000 mAh
Accesorio opcional	
Adaptador de clavija	PC-236HG (minitoma estéreo ↔ miniclavija monoaural)

El diseño y las especificaciones están sujetos a cambio sin previo aviso.